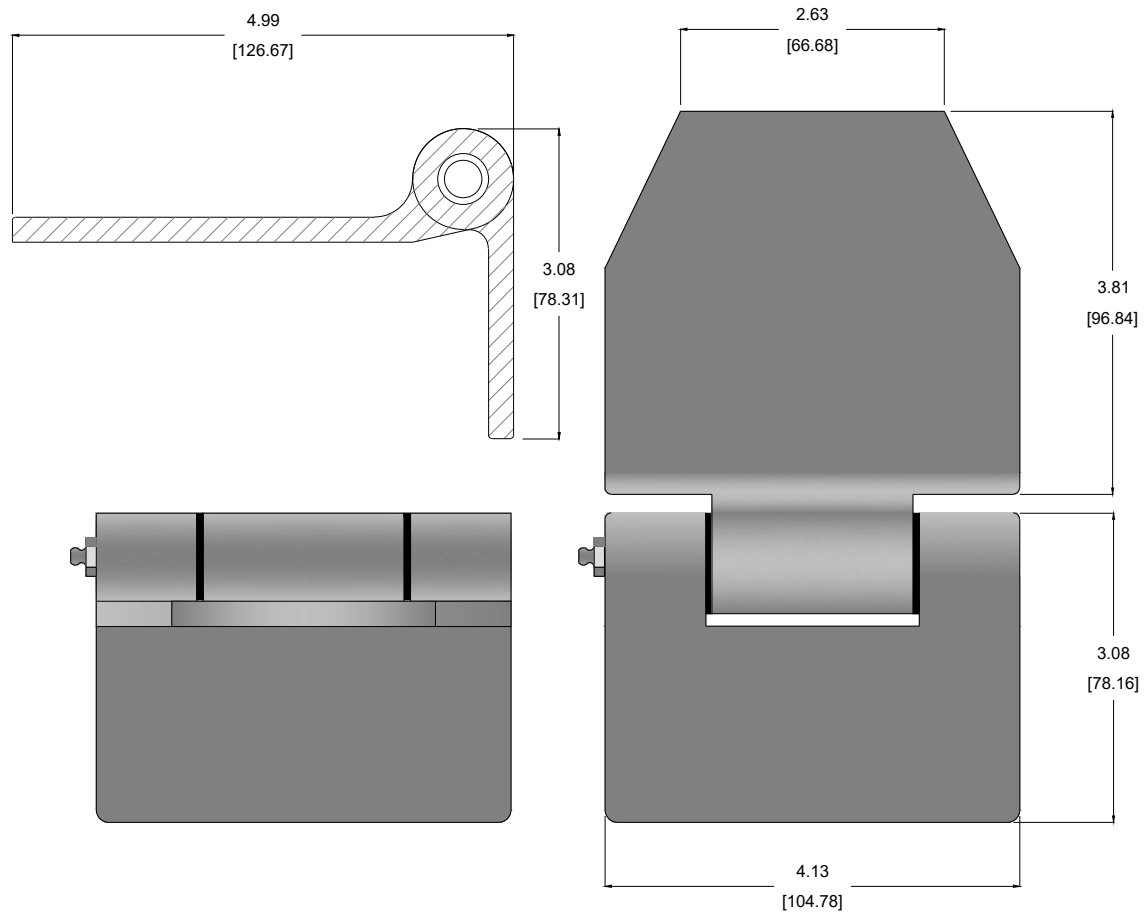


ALUMINUM "B" HINGE



EARLS MARINE CLOSURES AND SERVICES